



TRIADE

TRIADE MINI

TRIADE MINI is the concealed mounting bracket for shelves 25 mm thick. It has been conceived to simplify the shelf installation. It is provided with three independent adjustments:

1) VERTICAL

Before installing the shelf, the mounting brackets can be adjusted in height and (vertically) aligned through the slots.

2) HORIZONTAL

While placing the shelf in position, the supporting pins can be slid horizontally.

3) INCLINATION

When the shelf is partially inserted, the shelf angle can be adjusted front to back by turning the supporting pins with a 12mm open-ended wrench.

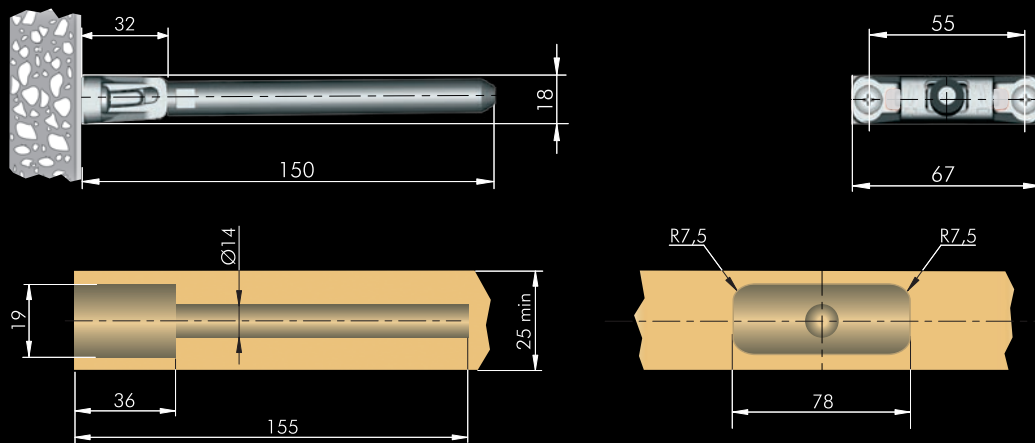
The capacity loading is 4,5Kg each (shelf weight included) for a shelf max 200mm deep.

Shelf minimum depth: 165mm

Zinc alloy and steel

PAT. PENDING

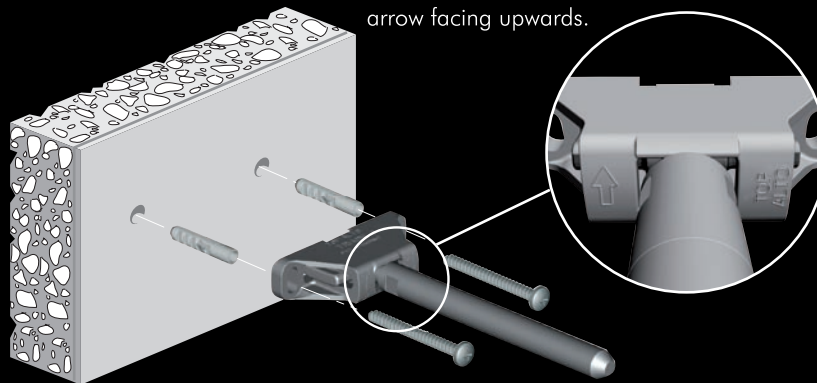
Part. no
1621401000



FIXING TO CEMENT WALL

VERY IMPORTANT

Triade Mini has to be installed with the arrow facing upwards.



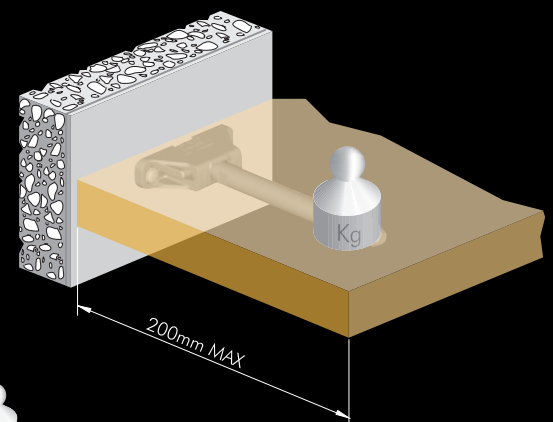
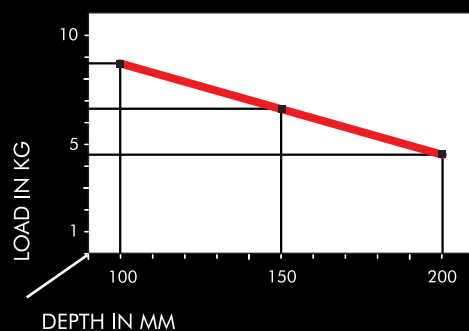
Fixing:

- to cement wall with raw/plugs Ø8mm & pan head screws Ø5x50mm.
- to wood panels with pan head wood screws Ø5mm.
- to plaster board with umbrella fittings Ø8mm & pan head screws M4x46mm.

It is the responsibility of the customer:

- to ensure the wall is of a suitable quality to hold the shelf fixing in place.
- to use the proper hardware fittings according to the construction of the wall.

COMBINATION SHELF LOAD AND SHELF DEPTH (The figures refer to 1 shelf support)



 + SHELF WEIGHT = 4,5 Kg MAX

TRIADE MINI + BRACKET

BRACKET FOR TRIADE MINI with pin $\varnothing 8\text{mm}$ is a valid complement to the concealed shelf support Triade Mini for shelves 25mm thick.

It is strongly recommended to be used in combination with the Triade Mini for shelves over 200mm deep, in order to improve the shelf support capacity loading, by evenly distributing the shelf load on the wall through a pin.

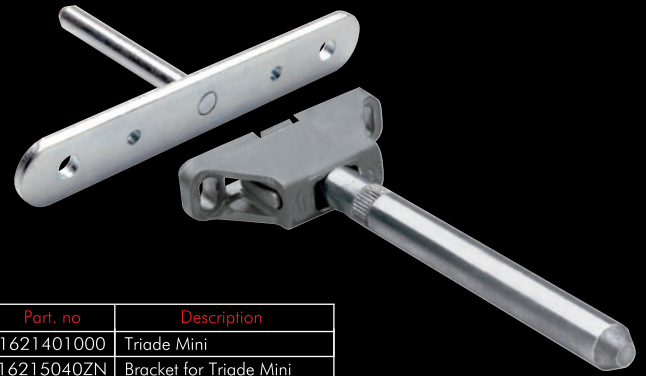
The $\varnothing 8\text{mm}$ pin allows to reduce the load taken by the two fixing screws.

The capacity loading is 10Kg each (shelf weight included) for a shelf max 300mm deep.

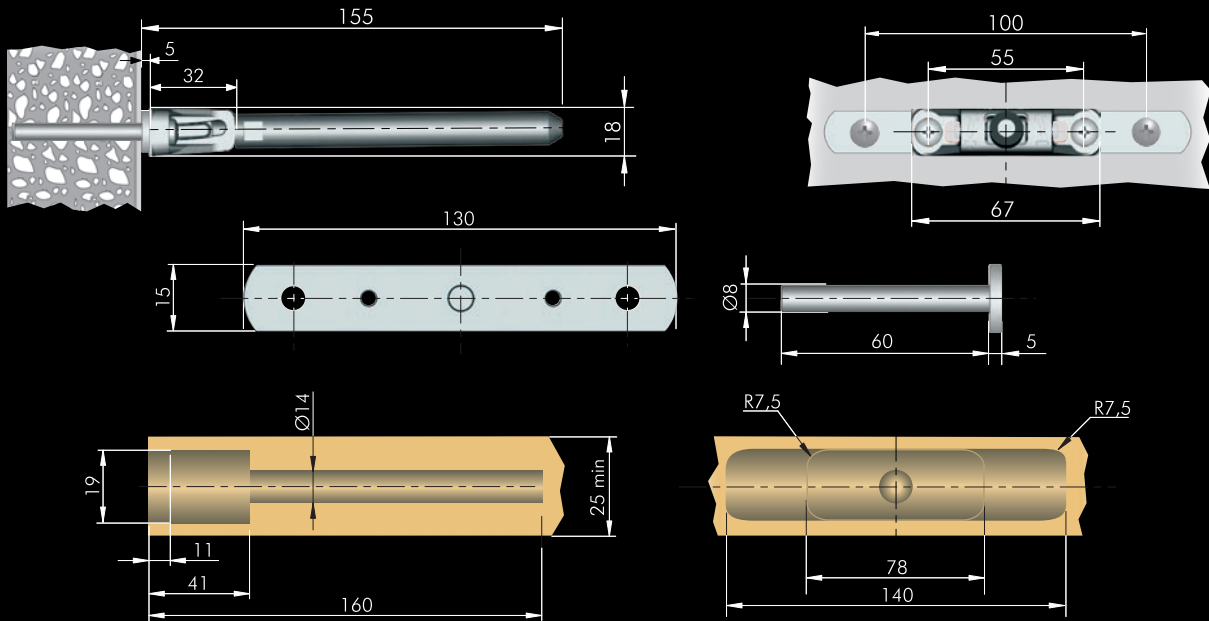
Shelf minimum depth: 165mm

Zinc alloy and steel

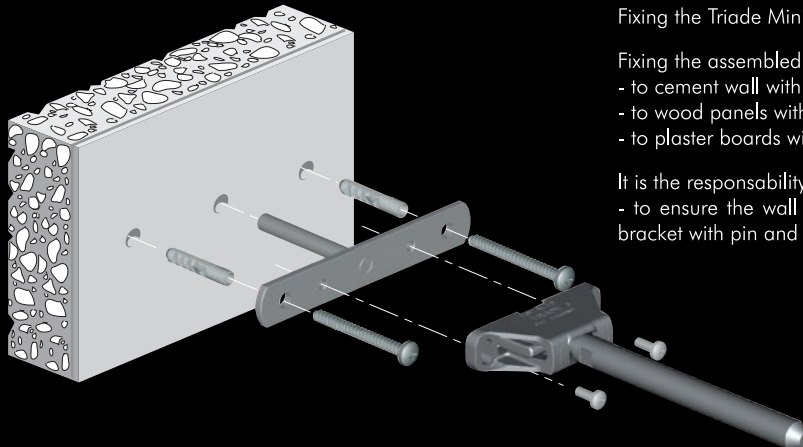
PAT. PENDING



Part. no	Description
1621401000	Triade Mini
16215040ZN	Bracket for Triade Mini
60334030ZN	pan head screw M5x12mm



FIXING TO CEMENT WALL



Fixing the Triade Mini onto the bracket with pan head screws M5x12mm.

Fixing the assembled Triade Mini & Bracket:

- to cement wall with rawlplugs $\varnothing 8\text{mm}$ & pan head screws $\varnothing 5 \times 50\text{mm}$.
- to wood panels with pan head wood screws $\varnothing 5\text{mm}$.
- to plaster boards with umbrella fittings $\varnothing 8\text{mm}$ & pan head screws M4x46mm.

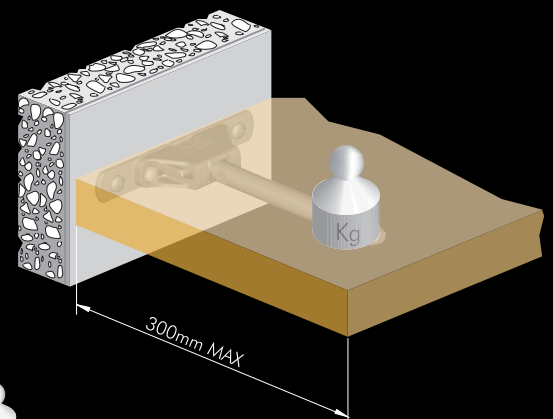
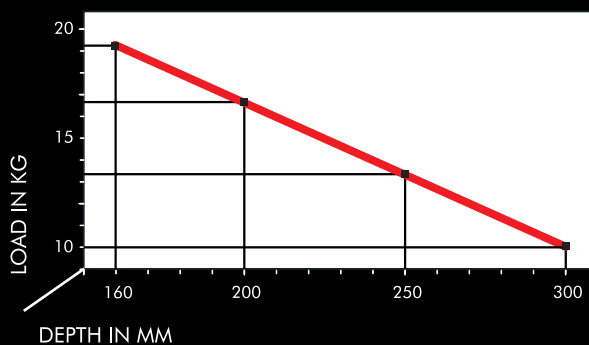
It is the responsibility of the customer:

- to ensure the wall is of a suitable quality to hold both the inserting of the bracket with pin and the Triade Mini in place.

VERY IMPORTANT: IT IS STRONGLY RECOMMENDED TO USE THE TRIADE MINI IN COMBINATION WITH THE RELATED WALL BRACKET, OTHERWISE ITALIANA FERRAMENTA WILL NOT BE HELD RESPONSIBLE FOR ANY FAILURE.

COMBINATION SHELF LOAD AND SHELF DEPTH WITH BRACKET FOR TRIADE MINI (The figures refer to 1 shelf support)

VERY IMPORTANT: THE CAPACITY LOADING DATA STATED IN THE CHARTS REFER TO TRIADE MINI USED IN COMBINATION WITH THE RELATED WALL BRACKET.



Kg + SHELF WEIGHT = 10 Kg MAX

TRIADE

TRIADE is the concealed mounting bracket for shelves 25 to 40mm thick. It has been conceived to simplify the shelf installation. It is provided with three independent adjustments:

1) VERTICAL

Before installing the shelf, the mounting brackets can be adjusted in height and (vertically) aligned through the slots.

2) HORIZONTAL

While placing the shelf in position, the supporting pins can be slid horizontally.

3) INCLINATION

When the shelf is partially inserted, the shelf angle can be adjusted front to back by turning the supporting pins with a 10mm open-ended wrench.

The capacity loading is 15Kg each (shelf weight included) for a shelf max 300mm deep.

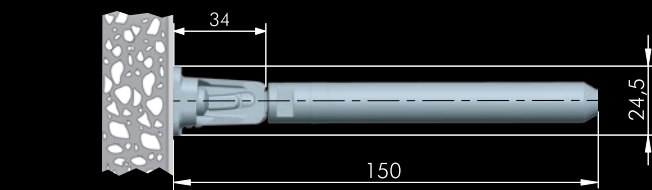
Shelf minimum depth: 160mm

Zinc alloy and steel

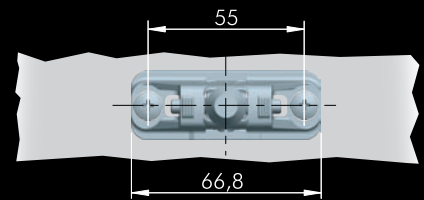
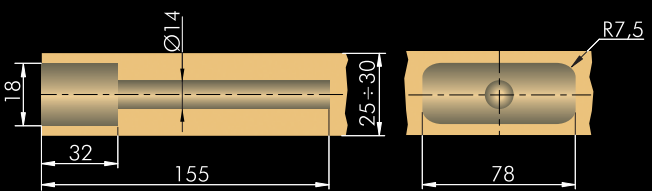
PAT. PENDING



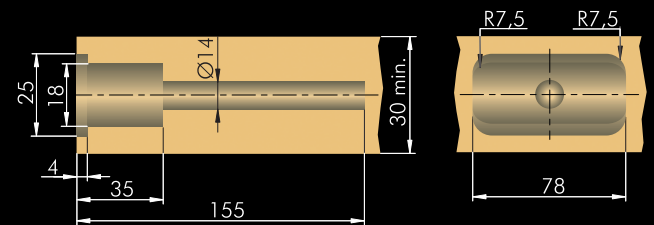
Part. no
1621501000



For shelf 25-30mm thick



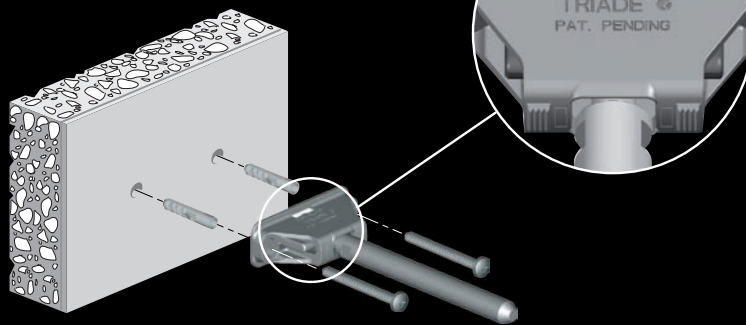
For shelf 30mm thick and above



FIXING TO CEMENT WALL

VERY IMPORTANT

Triade has to be installed with the writing "TOP - ALTO" facing upwards.



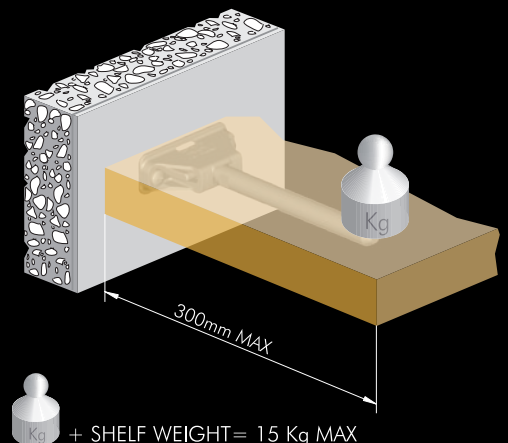
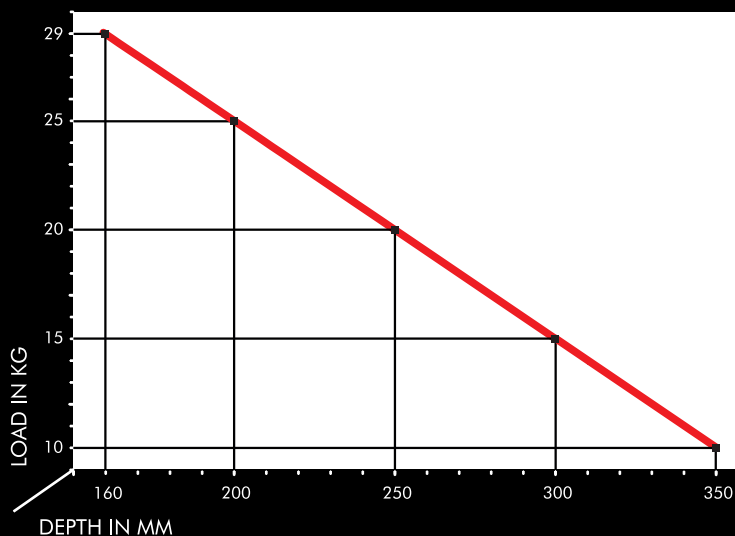
Fixing:

- to cement wall with rawlplugs Ø8mm & pan head screws Ø5x50mm.
- to wood panels with pan head wood screws Ø5mm.
- to plaster boards with umbrella fittings Ø8mm & pan head screws M4x46mm.

It is the responsibility of the customer:

- to ensure the wall is of a suitable quality to hold the shelf fixing in place.
- to use the proper hardware fittings according to the construction of the wall.

COMBINATION SHELF LOAD AND SHELF DEPTH (The figures refer to 1 shelf support)



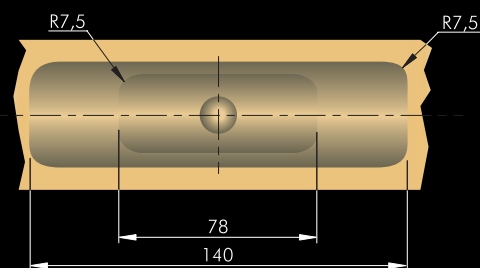
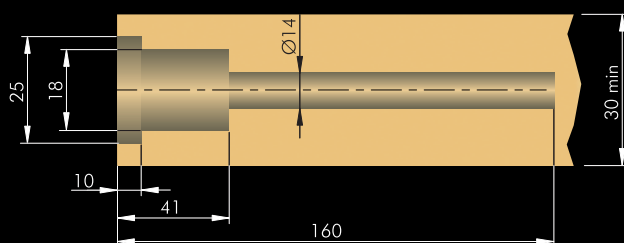
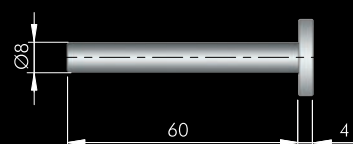
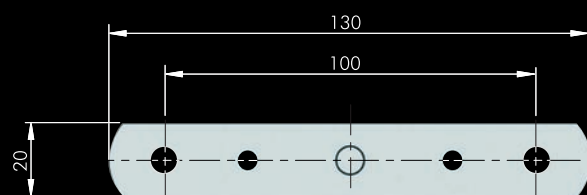
BRACKET FOR TRIADE

BRACKET FOR TRIADE with pin is a valid complement to the concealed shelf support Triade.

Ideal to improve the shelf support capacity loading by evenly distributing the shelf load on the wall through a $\varnothing 8$ mm pin.

The $\varnothing 8$ mm pin allows to reduce the load taken by the two fixing screws.

Part. no	Description
16215020ZN	Bracket for Triade
60334030ZN	pan head screw M5x12mm



FIXING TO WALL

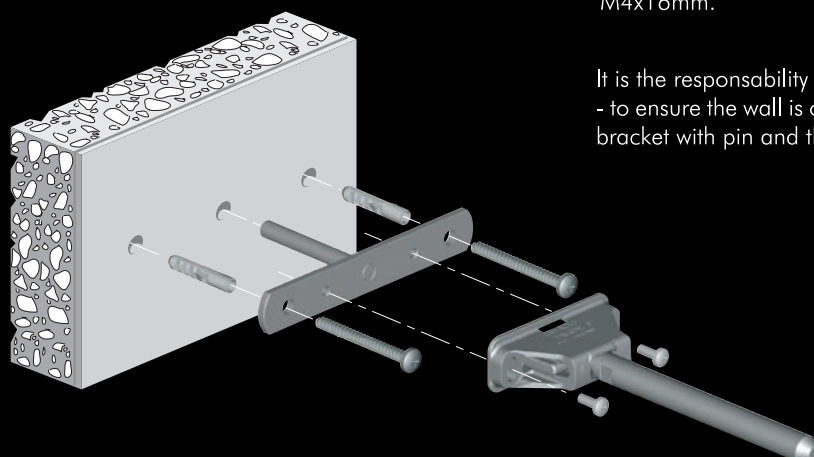
Fixing the Triade onto the bracket with pan head screws M5x12mm.

Fixing the assembled Triade & bracket:

- to cement wall with rawplugs $\varnothing 8$ mm & pan head screws $\varnothing 5 \times 50$ mm.
- to wood panel with 2 pan head wood screws $\varnothing 5$ mm.
- to plaster board with umbrella fittings $\varnothing 8$ mm & pan head screws M4x16mm.

It is the responsibility of the customer:

- to ensure the wall is of a suitable quality to hold both the inserting of the bracket with pin and the Triade in place.



TRIADE MAXI

TRIADE MAXI is the concealed mounting bracket for shelves minimum 40mm thick. It has been conceived to simplify the shelf installation. It is provided with three independent adjustments:

1) VERTICAL

Before installing the shelf, the mounting brackets can be adjusted in height and (vertically) aligned through the slots.

2) HORIZONTAL

While placing the shelf in position, the supporting pins can be slid horizontally.

3) INCLINATION

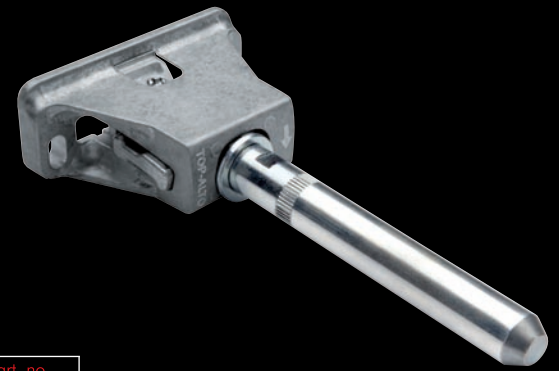
When the shelf is partially inserted, the shelf angle can be adjusted front to back by turning the supporting pins with a 12mm open-ended wrench.

The capacity loading is 20Kg each (shelf weight included) for a shelf max 400mm deep.

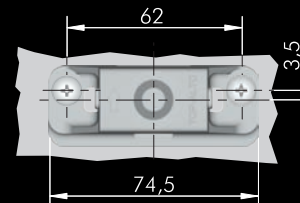
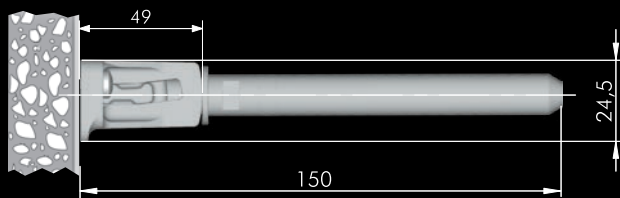
Shelf minimum depth: 200mm

Zinc alloy and steel

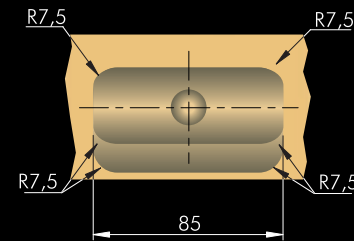
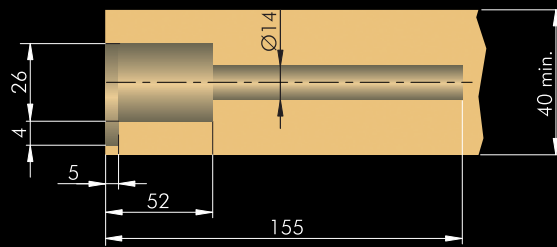
PAT. PENDING



Part. no
1621601000



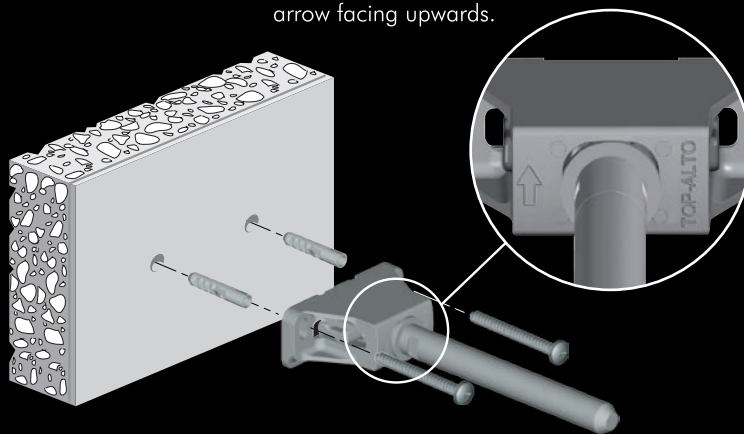
VERY IMPORTANT
Centre of the hole is shifted 3,5mm upwards. Please keep in mind when levelling the shelf.



FIXING TO CEMENT WALL

VERY IMPORTANT

Triade Maxi has to be installed with the arrow facing upwards.



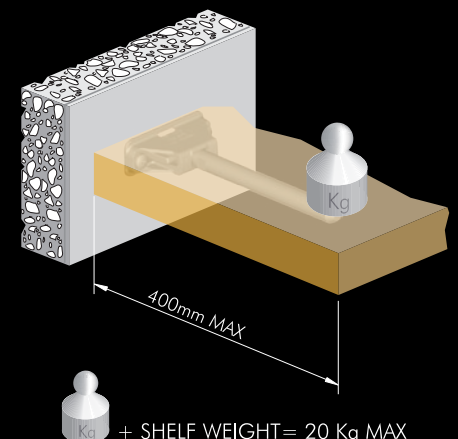
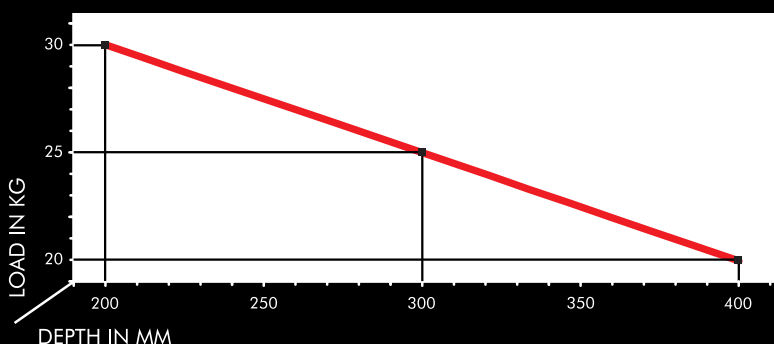
Fixing:

- to cement wall with rawlplugs Ø8mm & pan head screws Ø5x50mm.
- to wood panels with pan head wood screws Ø5mm.
- to plaster board with umbrella fittings Ø8mm & pan head screws M4x46mm.

It is the responsibility of the customer:

- to ensure the wall is of a suitable quality to hold the shelf fixing in place.
- to use the proper hardware fittings according to the construction of the wall.

COMBINATION SHELF LOAD AND SHELF DEPTH (The figures refer to 1 shelf support)



TRIADE XXL

TRIADE XXL is the concealed mounting bracket for honeycomb shelves minimum 40mm thick. It has been conceived to simplify the shelf installation. It is provided with three independent adjustments:

1) VERTICAL

Before installing the shelf, the mounting brackets can be adjusted in height and (vertically) aligned through the slots.

2) HORIZONTAL

While placing the shelf in position, the supporting pins can be slid horizontally.

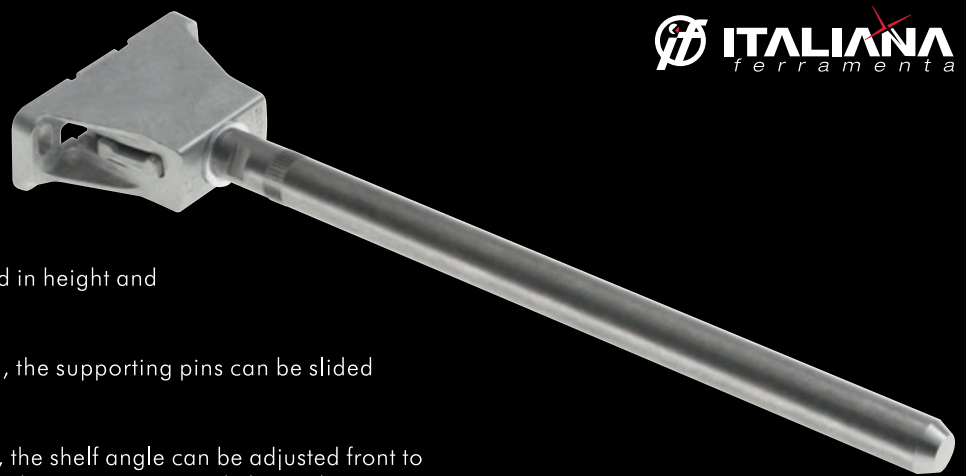
3) INCLINATION

When the shelf is partially inserted, the shelf angle can be adjusted front to back by turning the supporting pins with a 12mm open-ended wrench.

The capacity loading is 20Kg each (shelf weight included) for a shelf max 400mm deep.

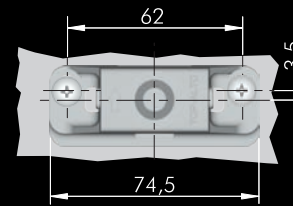
Shelf minimum depth: 300mm

PAT. PENDING

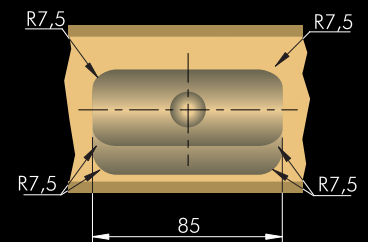
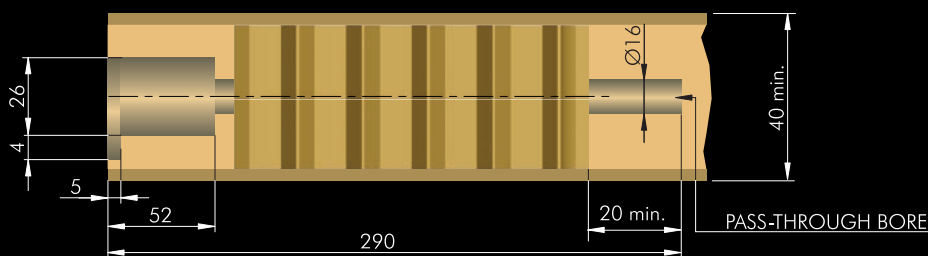


Zinc alloy and steel

Part. no
1621701000



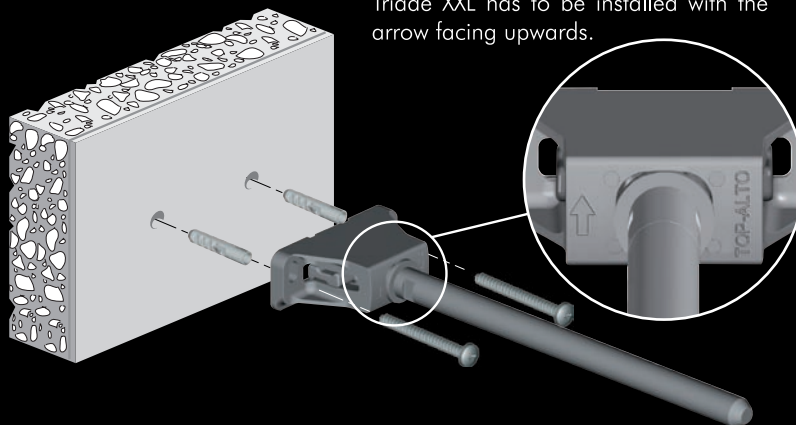
VERY IMPORTANT
Centre of the hole is shifted 3,5mm upwards. Please keep in mind when levelling the shelf.



FIXING TO CEMENT WALL

VERY IMPORTANT

Triade XXL has to be installed with the arrow facing upwards.

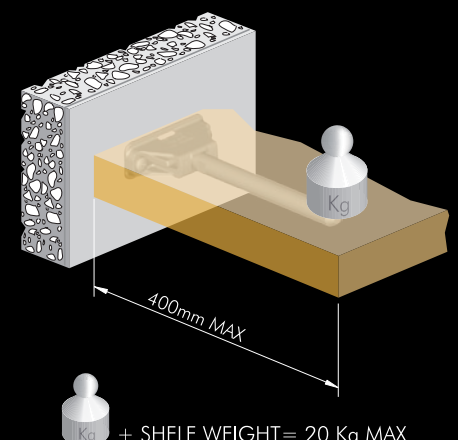
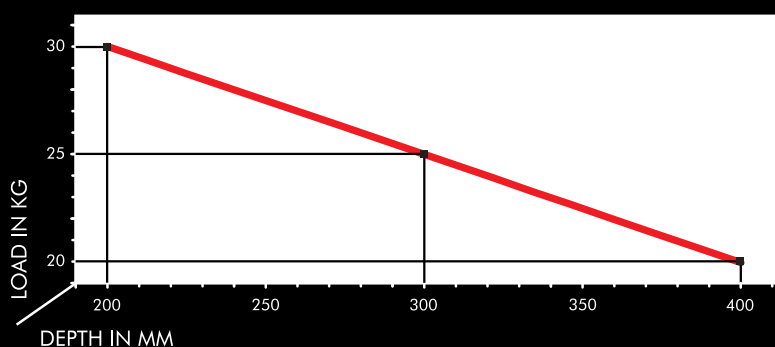


Fixing:

- to cement wall with rawlplugs Ø8mm & pan head screws Ø5x50mm.
- to wood panels with pan head wood screws Ø5mm.
- to plaster board with umbrella fittings Ø8mm & pan head screws M4x46mm.

It is the responsibility of the customer:
- to ensure the wall is of a suitable quality to hold the shelf fixing in place.
- to use the proper hardware fittings according to the construction of the wall.

COMBINATION SHELF LOAD AND SHELF DEPTH (The figures refer to 1 shelf support)



Kg + SHELF WEIGHT = 20 Kg MAX

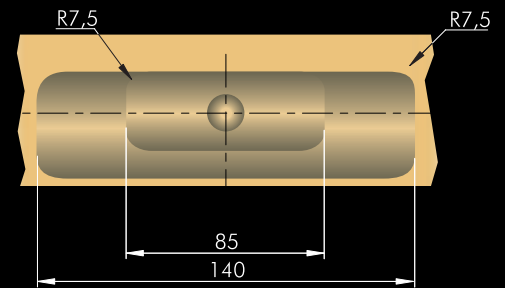
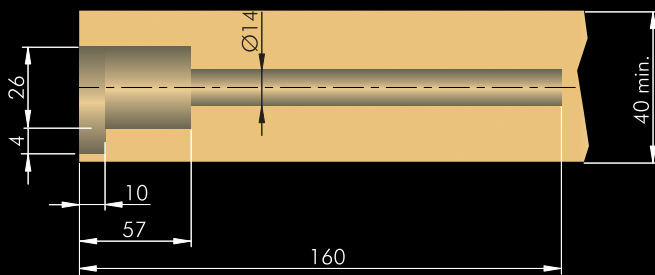
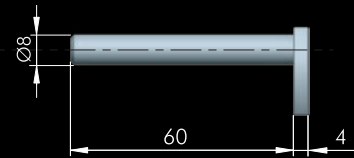
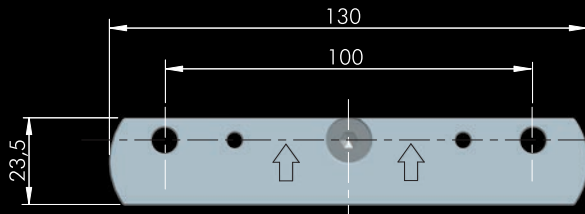
BRACKET FOR TRIADE MAXI AND XXL

BRACKET FOR TRIADE MAXI and TRIADE XXL with pin is a valid complement to the concealed shelf supports Triade Maxi and Triade XXL.

Ideal to improve the shelf support capacity loading by evenly distributing the shelf load on the wall through a $\varnothing 8$ mm pin.

The $\varnothing 8$ mm pin allows to reduce the load taken by the two fixing screws.

Part. no	Description
16215030ZN	Bracket for Triade Maxi and Triade XXL
60334030ZN	pan head screw M5x12mm



FIXING TO WALL

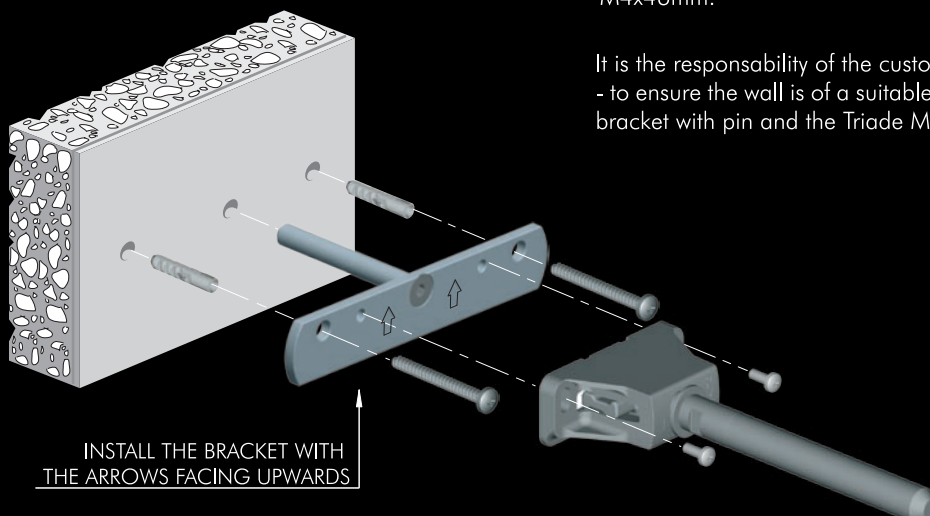
Fixing the Triade Maxi or Triade XXL onto the bracket with pan head screws M5x12mm.

Fixing the assembled Triade Maxi & bracket or Triade XXL & bracket:

- to cement wall with rawplugs $\varnothing 8$ mm & pan head screws $\varnothing 5 \times 50$ mm.
- to wood panel with 2 pan head wood screws $\varnothing 5$ mm.
- to plaster board with umbrella fittings $\varnothing 8$ mm & pan head screws M4x46mm.

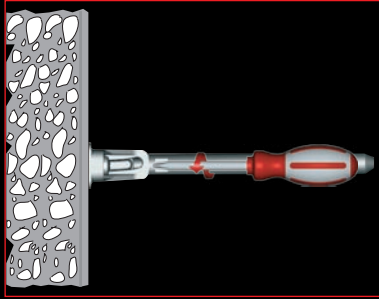
It is the responsibility of the customer:

- to ensure the wall is of a suitable quality to hold both the inserting of the bracket with pin and the Triade Maxi or Triade XXL in place.

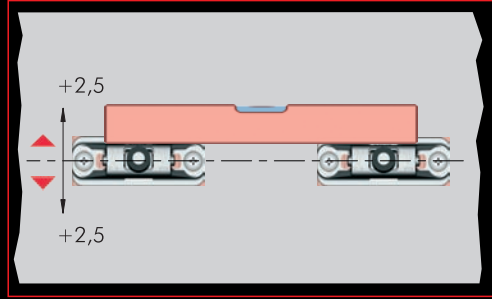


VERTICAL ADJUSTMENT

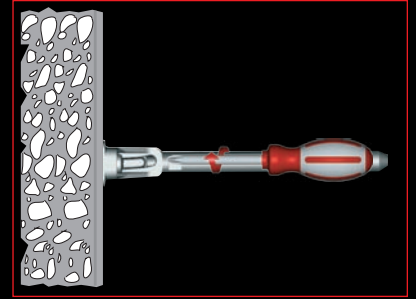
RELEASE THE FIXING SCREWS



ALIGN BRACKETS VERTICALLY ACCORDINGLY

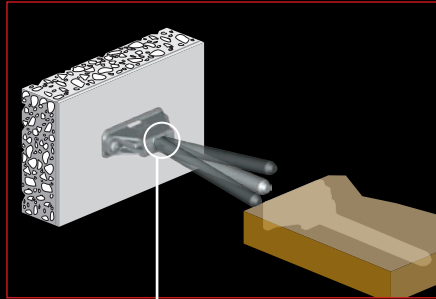


TIGHT THE FIXING SCREWS

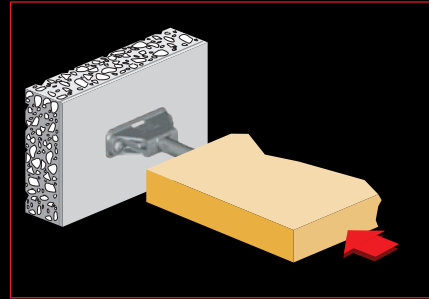


SHELF INSERTING AND HORIZONTAL ADJUSTMENT

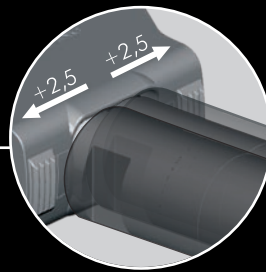
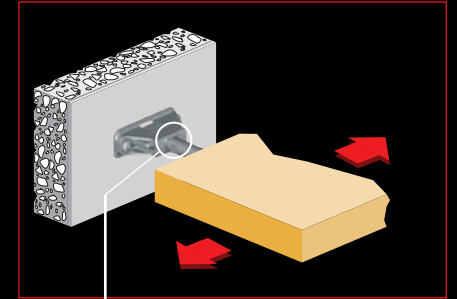
TILT THE SHELF TO MATCH BOTH SUPPORTING PINS AND SHELF HOUSINGS



INSERT PARTIALLY THE SHELF

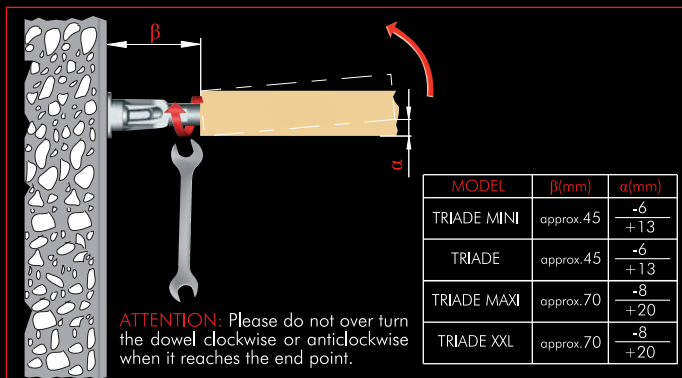


ADJUST THE SHELF HORIZONTALLY ACCORDING TO THE APPLICATION (i.e. MULTI-SHELF COMPOSITION)

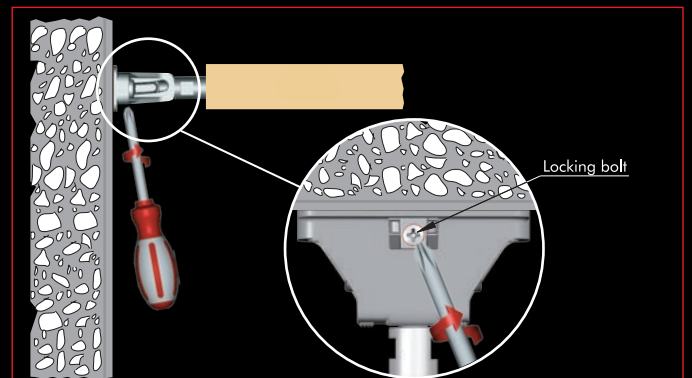


INCLINATION ADJUSTMENT

TURN CLOCKWISE THE SUPPORTING PIN WITH A 12mm OPEN-ENDED WRENCH TO ADJUST THE SHELF ANGLE FRONT TO BACK ACCORDINGLY

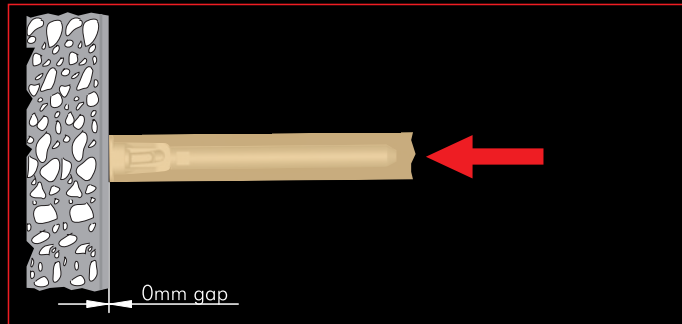


SCREW THE LOCKING BOLT TO BLOCK THE PIN



SHELF INSERTING FOR ALL TRIADE MODELS

PUSH THE SHELF AGAINST THE WALL UNTIL THE END



SHELF INSERTING FOR TRIADE MODEL ONLY, WITH DRILLING PLAN FOR SHELVES 25-29MM THICK

PUSH THE SHELF AGAINST THE WALL UNTIL THE END

